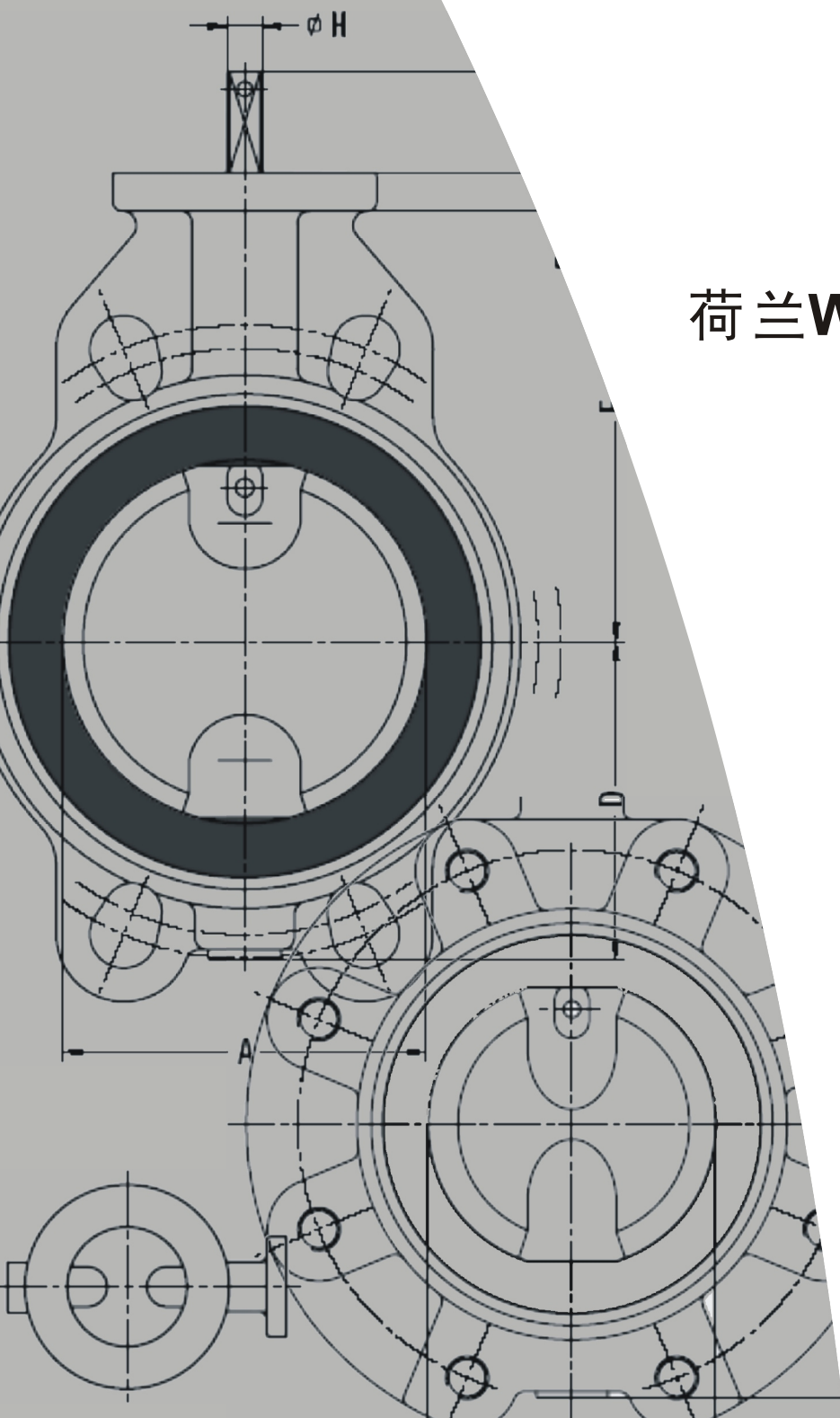


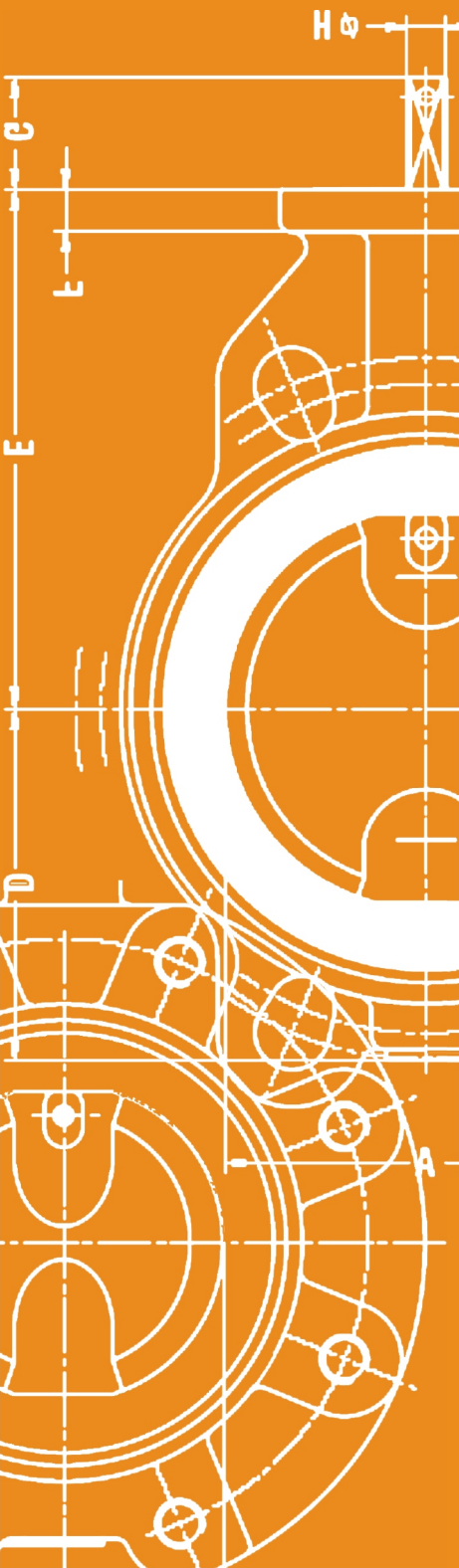


Wouter Witzel Eurovalve®

AFSLUITERS EN BEDIENINGEN VALVES AND ACTUATORS ARMATUREN UND BETÄTIGUNGEN



荷兰WOUTER WITZEL
EUROVALVE蝶阀



Wouter Witzel蝶阀公司成立于40年前，是世界上著名的蝶阀及其执行器生产商和供应商。产品广泛使用于管道上作为通断、调节和控制。种类齐全，型号众多，可以满足不同的工况需要，而且使用寿命长。

Wouter Witzel公司下属以下品牌：

- Wouter Witzel® 中线蝶阀，满足各种应用。
- Eurocheck® 蝶形止回阀。
- Dynaxe® 高性能蝶阀，PTFE或者金属密封，满足苛刻工况。
- Euronomic® 无骨架中线蝶阀。



Wouter Witzel EVS

名称：中线衬硫化橡胶蝶阀
 结构形式：对夹，短型，DN350以上为中线蝶阀
 连接标准：ISO, PN 6 / PN 10 / PN 16
 ASME, CL 150 / CL 300
 设计压力：16 bar / 232 psi
 公称通径：DN 50 / NPS 2" --- DN 1400 / NPS 56"
 结构长度：对夹短型，符合 EN 558 / ISO 5752, Serie 20
 阀体材质：灰铁、球铁、铸钢、不锈钢、铝/青铜
 阀座：橡胶
 驱动方式：手柄、涡轮、气动、电动、液动



Wouter Witzel EVL

名称：中线衬硫化橡胶蝶阀
 结构形式：对夹，长型
 连接标准：ISO, PN 10 / PN 16
 JIS, 5K / 10K / 16K
 设计压力：16 bar / 232 psi
 公称通径：DN 80 / NPS 3" --- DN 300 / NPS 12"
 结构长度：对夹长型，符合 EN 558 / ISO 5752, Serie 16
 阀体材质：灰铁、球铁、铸钢
 阀座：橡胶
 驱动方式：手柄、涡轮、气动、电动、液动



Wouter Witzel EVCS

名称：中线衬硫化橡胶蝶阀
 结构形式：对夹
 连接标准：ISO, PN 6
 ASME, CL 150
 设计压力：16 bar / 232 psi
 公称通径：DN 50 / NPS 2" --- DN 300 / NPS 12"
 结构长度：对夹短型，符合 EN 558 / ISO 5752, Serie 20
 阀体材质：球铁
 阀座：橡胶
 驱动方式：手柄、涡轮、气动、电动、液动



Wouter Witzel EVBS

名称：中线衬硫化橡胶蝶阀
 结构形式：支耳对夹，短型，对夹安装孔
 连接标准：ISO, PN 10 / PN 16
 设计压力：16 bar / 232 psi
 公称通径：DN 50 / NPS 2" --- DN 300 / NPS 12"
 结构长度：对夹短型，符合 EN 558 / ISO 5752, Serie 20
 阀体材质：铸铁
 阀座：橡胶
 驱动方式：手柄、涡轮、气动、电动、液动



Wouter Witzel EVBLS

名称：中线衬硫化橡胶蝶阀
 结构形式：支耳对夹，短型，对夹安装孔
 设计压力：16 bar / 232 psi
 公称通径：DN 50 / NPS 2" --- DN 200 / NPS 8"
 结构长度：对夹短型，符合 EN 558 / ISO 5752, Serie 20
 阀体材质：灰铁、球铁
 阀座：橡胶
 驱动方式：手柄、涡轮、气动、电动

Wouter Witzel EVTLS

名称：衬胶中线蝶阀
 结构形式：支耳对夹
 连接标准：PN 6 / PN 10 / PN 16
 ASME, CL 150
 JIS, 5K / 10K
 设计压力：16 bar / 232 psi
 公称通径：DN 50 / NPS 2" --- DN 1200 / NPS 48"
 结构长度：对夹短型，符合 EN 558 / ISO 5752, Serie 20
 阀体材质：灰铁、球铁、铸钢、不锈钢、铝/青铜
 阀座：橡胶
 驱动方式：手柄、涡轮、气动、电动、液动



Wouter Witzel EVMS

名称：中线衬硫化橡胶蝶阀
 结构形式：单法兰对夹，短型
 设计压力：16 bar / 232 psi
 公称通径：DN 350 / NPS 14" --- DN 1000 / NPS 40"
 结构长度：对夹短型，符合 EN 558 / ISO 5752, Serie 20
 阀体材质：灰铁、球铁
 阀座：橡胶
 驱动方式：涡轮、气动、电动、液动



Wouter Witzel EVML

名称：中线衬硫化橡胶蝶阀
 结构形式：单法兰对夹，长型
 设计压力：16 bar / 232 psi
 公称通径：DN 80 / NPS 3" --- DN 800 / NPS 32"
 结构长度：长型对夹，符合 EN 558 / ISO 5752, Serie 16
 阀体材质：灰铁、球铁
 阀座：橡胶
 驱动方式：手柄、涡轮、气动、电动、液动



Wouter Witzel EVUS

名称：中线衬硫化橡胶蝶阀
 结构形式："U"-型对夹，短型，带法兰
 连接标准：ISO, PN 10/ PN 16 ASME, CL150
 设计压力：16 bar /232 psi
 公称通径：DN 700 /NPS 28" --- DN 1800/ NPS 72"
 结构长度：短型对夹，符合 EN 558 /ISO 5752, Serie 20
 阀体材质：灰铁、球铁
 阀座：橡胶
 驱动方式：涡轮、气动、电动、液动



Wouter Witzel EVFS

名称：中线衬硫化橡胶蝶阀
 结构形式：双法兰，短型
 连接标准：ISO, PN 6 / PN 10 / PN 16
 JIS, 5K /10K / 16K
 设计压力：16 bar /232 psi
 公称通径：DN 40 /NPS 1 1/2" --- DN 2000/ NPS 80"
 结构长度：短型双法兰，符合 EN 558 /ISO 5752 Serie 13
 阀体材质：灰铁、球铁、铸钢、不锈钢、铝/青铜
 阀座：橡胶
 驱动方式：手柄、涡轮、气动、电动、液动



Wouter Witzel EVFL

名称：中线衬硫化橡胶蝶阀
 结构形式：双法兰，长型
 连接标准：ISO, PN 10/ PN 16
 设计压力：16 bar /232 psi
 公称通径：DN 50 /NPS 2" --- DN 1500/ NPS 60"
 结构长度：长型双法兰 EN 558 /ISO 5752 Serie 14
 阀体材质：灰铁、球铁
 阀座：橡胶
 驱动方式：手柄、涡轮、气动、电动、液动

Euronomic BA

名称：衬胶中线蝶阀
结构形式：对夹,带安装孔
连接标准：ISO, PN 6 / PN 10 / PN 16 ASME, CL 150
设计压力：16 bar / 232 psi
公称通径：DN 50 / NPS 2" --- DN 300 / NPS 12"
结构长度：短型对夹，符合EN 558 / ISO 5752, Serie 20
阀体材料：灰铁
阀座：橡胶
驱动方式：手柄、涡轮、气动、电动、液动

**Euronomic BB**

名称：衬胶中线蝶阀
结构形式：支耳对夹，支耳带安装孔
连接标准：ISO, PN 6 / PN 10 / PN 16 ASME, CL 150
设计压力：16 bar / 232 psi
公称通径：DN 50 / NPS 2"--- DN 300 / NPS 12"
结构长度：短型对夹，符合. EN 558 / ISO 5752, Serie 20
阀体材料：球铁
阀座：橡胶
驱动方式：手柄、涡轮、气动、电动、液动



DYNAXE W201

名称：高性能蝶阀
 结构形式：对夹，短型，带安装孔
 设计压力：20 bar / 290 psi
 公称口径：DN 50 / NPS 2" --- DN 900 / NPS 36"
 结构长度：短型对夹，符合 EN 558 / ISO 5752, Serie 20
 阀体材料：铸钢 不锈钢 铝/青铜
 阀座：橡胶 RTFE RTFE-防火 金属阀座
 驱动方式：涡轮、气动、电动、液动



DYNAXE L162

名称：高性能蝶阀
 结构形式：对夹，长型，带安装孔
 连接标准：ISO, PN 25 / PN 40 ASME, CL300
 设计压力：50 bar / 725 psi
 公称口径：DN 50 / NPS 2"- DN 600 / NPS 24"
 结构长度：对夹长型，符合 EN 558 / ISO 5752, Serie 16
 阀体材料：铸钢 不锈钢 铝/青铜
 阀座：橡胶 RTFE RTFE-防火 金属阀座
 驱动方式：涡轮、气动、电动、液动



DYNAXE W921

名称：高性能蝶阀
 结构形式：对夹
 连接标准：ISO, PN 10 / PN 16 ASME, CL150
 设计压力：20 bar / 290 psi
 公称口径：DN 80 / NPS 3" --- DN 300 / NPS 12"
 结构长度：长型对夹，符合 API 609, category B
 阀体材料：钛合金
 阀座：RTFE RTFE 防火
 驱动方式：手柄、涡轮



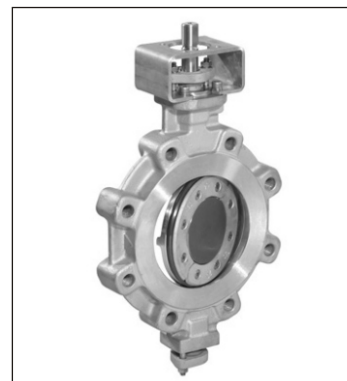
DYNAXE L201

名称：高性能蝶阀
 结构形式：支耳对夹，短型
 连接标准：ISO, PN 10 / PN 16 ASME, CL150
 设计压力：20 bar / 290 psi
 公称口径：DN 50 / NPS 2" --- DN 900 / NPS 36"
 结构长度：短型对夹，符合 EN 558 / ISO 5752, Serie 20
 阀体材料：铸钢 不锈钢 铝/青铜
 阀座：橡胶 RTFE RTFE-防火 金属阀座
 驱动方式：涡轮、气动、电动、液动

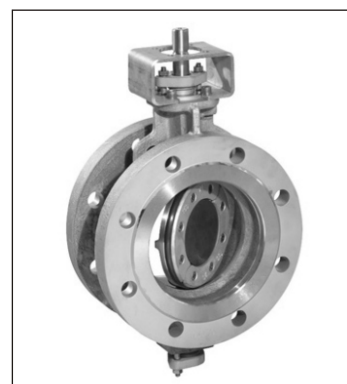


DYNAXE L162

名称：高性能蝶阀
连接形式：支耳对夹,长型
连接标准：ISO, PN 25/ PN 40 ASME, CL300
设计压力：50 bar /725 psi
公称通径：DN 50 /NPS 2" --- DN 600/ NPS 24"
结构长度：长型对夹，符合EN 558 /ISO 5752, Serie 16
阀体材料：铸钢 不锈钢 铝/青铜
阀座：橡胶 RTFE RTFE 防火 金属阀座
驱动方式：涡轮、气动、电动、液动

**DYNAXE F131**

名称：高性能蝶阀
连接形式：双法兰
连接标准：ISO, PN 10/ PN 16 ASME, CL150
设计压力：20 bar /290 psi
公称通径：DN 50 /NPS 2" ---DN900 / NPS 36"
结构长度：双短型法兰，符合EN 558 /ISO 5752 Serie 13
阀体材质：铸钢、不锈钢
阀座：橡胶 RTFE RTFE 防火 金属阀座
驱动方式：涡轮、气动、电动、液动

**Eurocheck ECV**

名称：止回阀
连接形式：对夹
连接标准：ISO, PN 6/ PN 10/ PN 16 ASME, CL150
设计压力：16 bar /232 psi
公称通径：DN 50 /NPS 2" --- DN 600/ NPS 24"
结构长度：长型对夹，符合 EN 558 /ISO 5752, Serie 16
阀体材质：铸铁、铸钢、不锈钢、铝/青铜
阀座：橡胶



Wouter Witzel公司的产品获得世界上大多数质量认证机构颁发的证书：



Certificate
Butterfly valves

Product Certificate
Butterfly valves

Based on pre-certification tests as well as periodic inspections by Kiwa, the products referred to in this certificate and marked with the Kiwa mark as indicated under "Marking", manufactured by **PCC Eurovalve B.V.** may, on delivery, be relied upon to comply with the EN 1874-2:2000 "Valves for water supply - Flanges for pressure requirements and appropriate verification tests - Part 2: Isolating valves" and the additional requirements from Kiwa evaluation guideline BEI-002/07 "Valves and other accessories for drinking water transport and drinking water distribution systems".

Kiwa N.V.
ing. B. Meekins
Director
Certification and Inspection

This certificate is issued in accordance with the Kiwa Regulations for Product Certification and consists of 3 pages. Publication of the certificate is allowed.

Company
PCC Eurovalve B.V.
De Nijverheidsweg 113
NL-7581 CE Loosdrecht
T +31 (0) 298 20 00 00
E info@eurovalve.nl
www.eurovalve.nl

Zertifikat über ein DIN-DVGW Prüfzeichen
certificate for a DIN-DVGW test mark

Produkte der Gasversorgung
products of gas supply

Produkt der Gasversorgung
products of gas supply
PCC Wouter Witzel Mach. Fabr. BV
P. O. Box 465, NL-7500 Enschede

Produktart
product category
Gas-Absperrklappen
gas shut-off valves

Modell
model
EVS/EVBS/EVMS/EVLS/EVLS

Bestimmungsland
country of destination
DE

Prüfberichte
test reports
BMP/02/12243/1/001 vom 11.10.2002 (SB)

Prüfgrundlagen
basis of type examination
DIN 3547-1 (Entwurf 01.07.1996)

Ablaufdatum / AZ
date of expiry / file no.
11.10.2005 / 02-0458-GNE

DVGW Deutsche Vereinigung
des Gas- und Wasserfaches e.V.
Technisch-wissenschaftlicher
Verband
Zertifizierungsstelle
Am Altenwall 1-3
D-52133 Bonn
Telefon: +49 (0)228 91 98 807
Telefax: +49 (0)228 91 98 393

Type Approval Certificate Germanischer Lloyd

This is to certify that the undetected product(s) has/have been tested in accordance with the relevant requirements of the UL Type Approval System.

Certificate No. **95 865- 91 148**

Company **PCC Eurovalve Industrieweg De Pul 12 NL-7581 CE Loosdrecht**

Product Description **BUTTERFLY VALVES**

Type **EVS/ EVL/ EVBS/ EVMS/ EVLS/ EVPL/ EVPLS**

Environmental Category **None**

Technical Data
Range of Application
Materials
Body G-35, GG-40
Valve disc 1.4571, AISI 316, GG-40, 1.0968 ST, 2.0968 ST
Shaftless 1.4571, AISI 316, AUBF
Linking NBR, EPDM
Flap bearing PTFE

RANGE OF APPLICATION
The a.n. butterfly valves are approved and can be used in piping systems on ships and other structures covered by Germanischer Lloyd.

LIMITATIONS
- Valves made of grey cast iron are permitted only in class II piping systems and in cargo systems on all tankers.
- Water type butterfly valves are not to be used on the ship's hull.

Test Standard
Regulations for the Performance of Type Tests on Mechanical Components and Equipment, Part 2.2 of Germanischer Lloyd

Documents
- Report of tests carried out dated 03.04.1995
- Technical data sheets and drawings
- Quality manual

Remarks **None**

Valid until **2007-04-09**

Page 1 of 2
File No. **IL 84.04**

Hamburg **3002-08-07**

Germanischer Lloyd
D. Rothermund
A. Maruhn

CERTIFICATE OF TYPE APPROVAL

This is to certify that the product identified below was found to be in compliance with the relevant harmonized standard Regulations of standard

BUTTERFLY VALVES
EVS, EVBS, EVMS, EVPLS, EVMS, EVPL, wafer type
EVS, EVPL, double flanged type

MANUFACTURED BY
PCC Euro Valve
ENSCHEDÉ - NETHERLANDS

SPECIFIED REGULATIONS & STANDARDS:
- BUREAU VERITAS Rules for the Classification of Steel Ships

The Approval is valid until: **17-10-2007**

BUREAU VERITAS ROTTERDAM
At Paris la Defense, on: 06-04-2004

J. BENOIT
For the Secretary

Zertifikat
über die
Anerkennung
von
Bauteilen und Systemen

Wouter Witzel by
P.O. Box 465
NL-7500 AL Enschede

Die Anerkennung
wurde erteilt am Datum
23.03.2002

Das Zertifikat gilt bis zum Datum
22.03.2006

Die Anerkennung
bezieht sich auf die
Anwendungsbereiche
Absperrklappen
Typ EVBS: DN 50 bis DN 300 (mit Getriebe)

Bestimmung:
in ordnungsfertigen Wasserföschanlagen

Anwendungsbereiche:
Verfahrensföhren - VMS 2344 (1999-02)
Richtlinien für Wasserföschanlagen
Auffangbehälter und Prefabrikations für Bausteine
VMS 2100 (05/88)

Köln, den 7. Juni 2001

VdS
Vereinigung der
Deutschen
Versicherungsgesellschaften
für Sachversicherungen
VdS 2301 e.V.
in Zusammenarbeit mit
VdS 2302 e.V.
VdS 2303 e.V.
VdS 2304 e.V.
VdS 2305 e.V.
VdS 2306 e.V.
VdS 2307 e.V.
VdS 2308 e.V.
VdS 2309 e.V.
VdS 2310 e.V.
VdS 2311 e.V.
VdS 2312 e.V.
VdS 2313 e.V.
VdS 2314 e.V.
VdS 2315 e.V.
VdS 2316 e.V.
VdS 2317 e.V.
VdS 2318 e.V.
VdS 2319 e.V.
VdS 2320 e.V.

WRAS
Water Regulations Advisory Scheme

Our Ref: CRUC
13 December 2004

Arkema Ltd
Central Boulevard
Blythe Valley Business Park
Sibthorp
S80 9AG

Dear Sir

WATER REGULATIONS ADVISORY SCHEME
"ITEMS WHICH HAVE PASSED FULL TESTS OF EFFECT ON WATER QUALITY - BS 6820"

We refer to your application for the material(s) described below to be approved arising from the results of the tests of effect on water quality that have been carried out on the product(s) as described. It has been decided that there is no objection to further use provided the source, nature and manufacturing processes of the ingredients and products are not changed. (See notes overleaf).

COATINGS, PAINTS & LININGS - FACTORY APPLIED (5030)

Rönan - T White 1488 AC, T Grey 5161 MAC, T Blue 7443 MAC, T Green 7529 MAC, T Black 7452 AC with Pringreen LAT 12035 primer. Nylon powder coatings with epoxy resin primer. Factory applied coatings. Cold and hot water use up to 80°C.

Test Report: MA30250

0611504 **ARKEMA LTD**

An entry, as above, will accordingly be included in the Water Fittings and Materials Directory, Part Two, under the section headed, "Materials which have passed full tests of effect on water quality".

Your attention is drawn to the statement overleaf. Manufacturers or applicants may only quote in their sales literature terms which are used in this letter, namely that the product as listed, having passed the tests of effect on water quality, is suitable for use in contact with potable water and that reference to the product will be included in the Materials section, Part Two, of the Water Fittings and Materials Directory. This may be abbreviated to "Water Regulations Advisory Scheme Approved Product" or "WRAS Approved Product". Approval of this product does not signify the approval of its mechanical or physical properties for any use.

The Technical Committee of the Scheme reserves the right to revoke approval. This product automatically becomes due for retest measurement in November 2009.

Yours faithfully
Chris Ramsay (Mrs)
National Advertising
Water Regulations Advisory Scheme

中国船级社
CHINA CLASSIFICATION SOCIETY
船用产品型式认可证书
CERTIFICATE OF TYPE APPROVAL FOR MARINE PRODUCT

产品名称
Description: Butterfly Valves
制造商
Manufacturer: PCC Wouter Witzel BV

产品型号
Model: See below

批准图号
Approval No. of drawing: LEA1170017

产品明细表

No.	Type	Designation (refer to Manufacturer's technical documentation)	Nominal Pressure (PN)	Material / Intention
1	EVS	wafer type	10-140	
2	EVL	wafer type (long)	10-300	
3	EVMS	Single flanged wafer type	10-300	
4	EVBS	Single flanged wafer type	10-300	
5	EVPLS	Double flanged wafer type	10-140	
6	EVMS	Double flanged wafer type	10-300	
7	EVMS	Single flanged wafer type	10-140	
8	EVMS	Single flanged wafer type	10-140	
9	EVBS	Double flanged wafer type	10-300	
10	EVPL	Double flanged wafer type	10-140	

结果符合本技术规范及有关规范，对上述产品图纸和技术文件进行了审查，并于 XX 月 XX 日，
正式认可，该产品符合本技术规范进行生产和使用。
THIS IS TO CERTIFY that the surveyor to this Society has, in accordance with the Rules and relevant Regulations of this Society, examined the drawings and technical documents of the above-mentioned product, and found that they conform to the requirements of the Rules of this Society and the relevant standards. The Type Approval for the subject product is hereby granted.
After the Type Approval, the subject product is also required to be surveyed and certified in accordance with the requirements of this Society

本证书有效期至
This Cert. is valid until
发证日期
Date of issue: April 22, 2005

DET NORSKE VERITAS
TYPE APPROVAL CERTIFICATE

CERTIFICATE NO. P-11488
This Certificate consists of 5 pages

This is to certify that the **Butterfly Valves** with type designations(s)
EVS, EVBS, EVMS, EVMS, EVPLS and EVPLS

Manufactured by
Wouter Witzel B.V., Wouter Witzel Eurovalve B.V.
Enschede, Netherlands

Det Norske Veritas' Rules for Classification of Ships and Mobile Offshore Units

Application
The valves may be used for the following systems: Fire water, Fresh water / Sea water / Water ballast / Bilge (see cert.) Fuel and lub. oil / Inert gas / Cargo oil filling and discharge / Sanitary

Temperature range: Dep. on liner and seat mat., see cert.
Max. working press.: PN 16 and 25 (dep. size and type, see cert.)
Size: DN 50 to 2000mm (see cert.)

Place and date
Havik, 2001-12-07
DET NORSKE VERITAS AS
Kjetil Folge
Head of Section

This Certificate is valid until
2006-06-30

Local Office
DNV Rotterdam

Notes: This Certificate is subject to terms and conditions overleaf. Any significant change to design or construction may render this Certificate invalid.

DET NORSKE VERITAS AS
VERIFIKAVEN 1, 5018 DRAMMEN, NORWAY
Form No. 22/06, Issue: January 06
Page 1 of 2

ABS

CERTIFICATE NUMBER
03-LD23018-PDA

DATE
11 April 2003

ABS TECHNICAL OFFICE
London ESD

CERTIFICATE OF Design Assessment

This is to Certify that a representative of this Bureau did, at the request of **PCC EuroValve BV** assess design plans and data for the below listed product. This assessment is a representation by the Bureau as to the degree of compliance the design exhibits with applicable sections of the Rules. This assessment does not waive any certification or classification procedures required by ABS Rules for products to be installed in ABS covered vessels or facilities. This certificate, by itself, does not reflect that the product is Type Approved. The scope and limitations of this assessment are detailed on the pages attached to this certificate and it will remain valid for five years from the date of issue or until the Rules or specifications used in the assessment are revised (whichever occurs first).

Product: Butterfly Valves Lined with NBR, EPDM or FPM Linings
Model: EVS, EVBS, EVMS, EVMS, EVPLS, EVPLS
ABS Rule: See attached listing
Other Standard: ISO 5208, ISO 5752, EN 558

AMERICAN BUREAU OF SHIPPING
Arthur Reynolds
Arthur Reynolds



上海兴祥工业设备有限公司

地址：上海市浦东新区金豫路100号3幢720室 201206

电话：021-51602012 传真：021-51685158

网址：www.xx-tech.cn Email: info@xx-tech.cn

